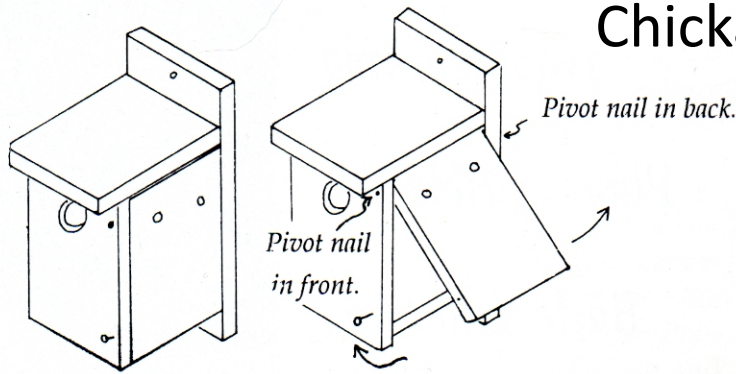
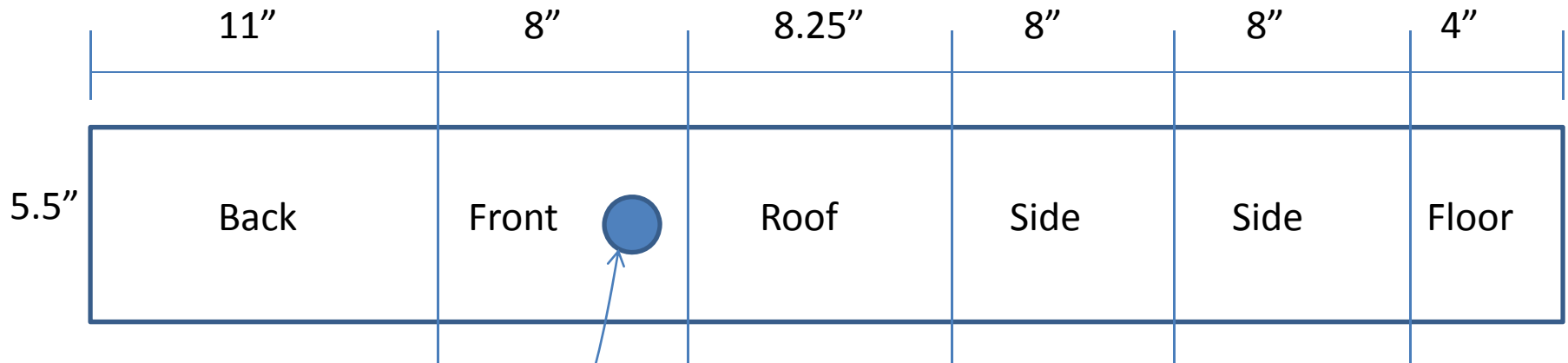


# Chickadee Nestbox Plans



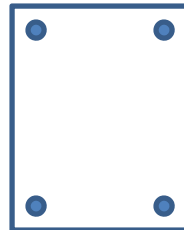
Use galvanized screws for best results, even where it says pivot "nails" in the picture to the left. Purchase a board that is 1"x 6"x 4' and it will be the right dimensions.



The entrance hole should be 1.25" in diameter.

Make sure the inside of the front is rough so the fledglings have something to grip to get out

Add 4 drainage holes in the floor:



Add 2 ventilation holes in each of the two sides:

